



PALLET HOOKS



PALLET HOOKS



PALLET HOOKS

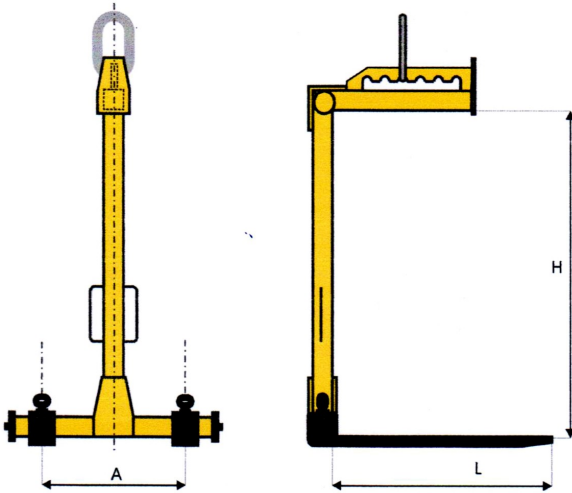
P.W. Stalkomat Sp. z o.o. was established in 1992. Our company deals with designing and manufacturing technological transport devices, more known as ropes. We have a long-term experience in their production, because we are continuing the tradition of SOS SOSTAL from which we originate. Typical wire, chain, polyester or webbing sling ropes are manufactured according to PN-EN regulations and have the WLL and length according to customer's needs. We also produce lifting beams, metal tongs, plate tongs, metal sheet lifters, manhole housing lifters etc. We design and build according to our customers' individual needs on the basis of obligatory norms, endurance calculations and using the appropriate standards of Dyrektywa Maszynowa 2006/42/WE. Each rope or a group of equal ropes receives The Certificate of Quality or The Declaration of Conformity with obligatory norms and a CE mark. We also offer help in choosing ropes and in re-attestation and regeneration of used ropes. With our company- **YOU WORK WITHOUT RISK !!!**



PALLET HOOKS

Pallet hooks are used for carrying pallets, crates and also, in some cases, to transport metal plates and metal sheets (particularly when the access to the transported material does not allow the use of other type of tong)

ADJUSTABLE FORK PALLET HOOK EQUIPPED IN MANUAL SETTING OF CENTRE OF GRAVITY



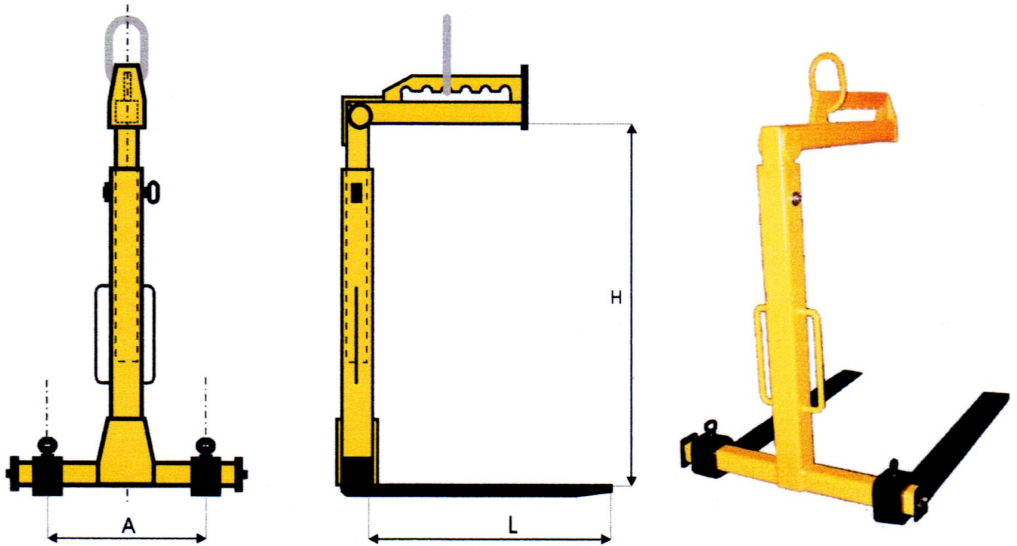
Lifting Capacity [T]	A	L	H
1,0	250-800	1050	1600
1,5	250-800	1050	1600
2,0	280-800	1080	1600
3,2	280-800	1100	1600
4,5	350-800	1100	1600

Presented dimensions and lifting capacities are mostly chosen by customers. The user can provide dimensions and lifting capacity adjusted to his own needs

PALLET HOOKS

PALLET HOOKS

ADJUSTABLE FORK (HEIGHT AND WIDTH) PALLET HOOK
EQUIPPED IN MANUAL SETTING OF CENTRE OF GRAVITY



Lifting Capacity [T]	A	L	H
1,0	250-800	1050	1100-1600
1,5	250-800	1050	1300-2000
2,0	280-800	1100	1300-2000
3,0	350-800	1100	1300-2000

Presented dimensions and lifting capacities are mostly chosen by customers. The user can provide dimensions and lifting capacity adjusted to his own needs

PALLET HOOKS

PALLET HOOKS

ADJUSTABLE FORK PALLET HOOK FOR METAL PLATES AND METAL SHEETS EQUIPPED IN MANUAL SETTING OF CENTRE OF GRAVITY



Lifting capacity and dimensions can be adjusted to customer's needs

PALLET HOOKS



P. W. Stalkomat Sp. z o.o.

Al. Mireckiego 22

41-200 Sosnowiec

NIP: 644-001-18-96

www.stalkomat.arg.pl

[e-mail: stalkomat@arg.pl](mailto:stalkomat@arg.pl)

Tel. (0-32) 785-52-33

Tel/fax (0-32) 299-64-21